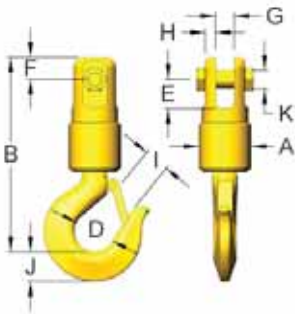




NEW! Insulated Insulated Swivel for Suspended Welding & Other DC current protection applications

- Rated for 2,000 volts direct current (DC)
- Insulated swivel for suspended welding and other process current applications
- 4:1 design factor
- Load capacities from 3 to 15 tons
- Proof load 2 x WLL
- Tapered roller thrust bearing
- Tight-fit bronze bushing protects bearing
- Factory lubricated
- Six popular clevis, eye, and hook styles
- Drop forged steel hook with safety latch
- Enamel coat finish
- Electrical test certificates available
- **TO ORDER:** Add suffix "-DC" to model number. For example, **3E185-DC**

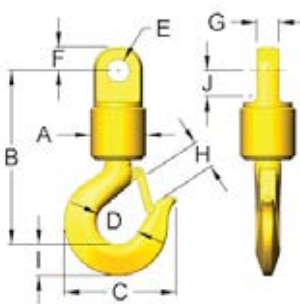
CLEVIS TO HOOK - TYPE 185



WLL* Tons	Model Number	Rope Size	A	B	C	D	E	F	G	H	I	J	K	Weight Lbs.
3	3E185	1/2	2.63	8.09	4.94	2	1.38	1.19	1	0.5	1.5	1.44	.75	7
6	6E185	5/8	3.25	10.06	6.5	2.5	1.75	1.50	1.13	0.75	1.88	1.81	1	16
10	10E185	3/4	3.75	13.75	8.81	3.25	2.13	1.63	1.38	0.75	2.5	2.59	1.25	28
15	15E185	1	4.13	15.44	11	4.25	2.5	1.88	1.75	0.88	3.38	3	1.375	50

* Design factor 4:1

EYE TO HOOK - TYPE 285



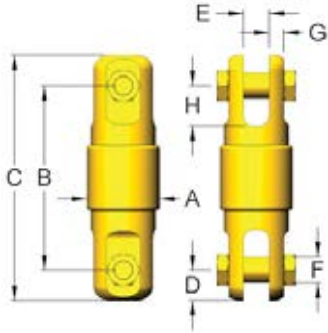
WLL* Tons	Model Number	Rope Size	A	B	C	D	E	F	G	H	I	J	Weight Lbs.
3	3E285	1/2	2.63	7.66	4.94	2	1.06	1.13	1	1.5	1.44	1.13	7
6	6E285	5/8	3.25	9.75	6.5	2.5	1.41	1.50	1.19	1.88	1.81	1.38	16
10	10E285	3/4	3.75	13.75	8.81	3.25	1.66	1.63	1.44	2.5	2.59	2.38	28
15	15E285	1	4.13	15.81	11	4.25	2.06	2.00	1.94	3.38	3	2.63	50

* Design factor 4:1

SWIVELS- ECONO-LINK DC



CLEVIS TO CLEVIS - TYPE 181

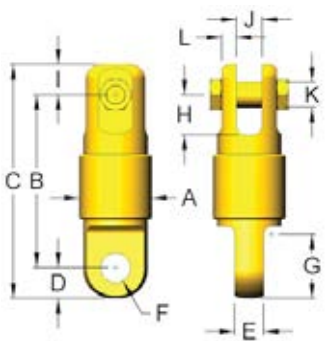


WLL* Tons	Model Number	Rope Size	A	B	C	D	E	F	G	H	Weight Lbs.
3	3E181	1/2	2.63	6.31	8.69	1.19	1	.75	0.5	1.38	6
6	6E181	5/8	3.25	7.81	10.81	1.5	1.13	1	0.75	1.75	14
10	10E181	3/4	3.75	9.31	12.56	1.63	1.38	1.25	0.75	2.13	21
15	15E181	1	4.13	11.06	14.81	1.88	1.75	1.38	0.88	2.5	31

* Design factor 4:1

NEW! Insulated
Insulated Swivel for
Suspended Welding & Other DC
current protection applications

CLEVIS TO EYE - TYPE 182

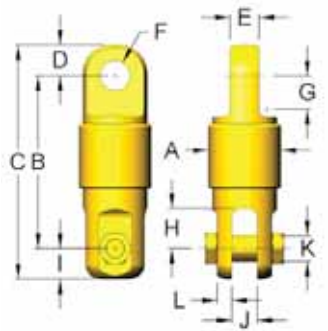


WLL* Tons	Model Number	Rope Size	A	B	C	D	E	F	G	H	I	J	K	L	Weight Lbs.
3	3E182	1/2	2.63	5.94	8.25	1.13	1	1.06	1.13	1.38	1.19	1	.75	0.5	5
6	6E182	5/8	3.25	7.25	10.25	1.5	1.19	1.41	1.38	1.75	1.5	1.13	1	0.75	13
10	10E182	3/4	3.75	9.31	12.56	1.63	1.44	1.66	2.38	2.13	1.63	1.38	1.25	0.75	20
15	15E182	1	4.13	11.06	14.81	1.88	1.94	2.06	2.63	2.5	1.88	1.88	1.375	0.88	30

* Design factor 4:1

- Rated for 2,000 volts direct current (DC)
- Insulated swivel for suspended welding and other process current applications
- **TO ORDER:** Add suffix "-DC" to model number. For example, **3E185-DC**

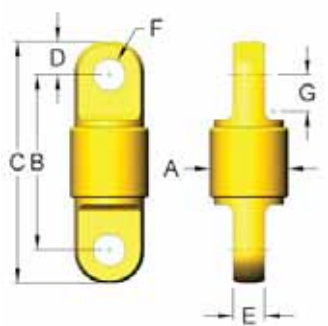
EYE TO CLEVIS - TYPE 281



WLL* Tons	Model Number	Rope Size	A	B	C	D	E	F	G	H	I	J	K	L	Weight Lbs.
3	3E281	1/2	2.63	5.94	8.25	1.13	1	1.06	1.13	1.38	1.19	1	.75	0.5	5
6	6E281	5/8	3.25	7.25	10.25	1.5	1.19	1.41	1.38	1.75	1.5	1.13	1	0.75	13
10	10E281	3/4	3.75	9.31	12.56	1.63	1.44	1.66	2.38	2.13	1.63	1.38	1.25	0.75	20
15	15E281	1	4.13	11.06	14.81	1.88	1.94	2.06	2.63	2.5	1.88	1.75	1.375	0.88	30

* Design factor 4:1

EYE TO EYE - TYPE 282



WLL* Tons	Model Number	Rope Size	A	B	C	D	E	F	G	Weight Lbs.
3	3E282	1/2	2.63	5.5	7.75	1.13	1	1.06	1.13	5
6	6E282	5/8	3.25	6.94	9.94	1.5	1.19	1.41	1.38	12
10	10E282	3/4	3.75	9.81	12.94	1.63	1.44	1.66	2.38	21
15	15E282	1	4.13	11.94	15.06	1.88	1.94	2.06	2.63	31

* Design factor 4:1